

# BILSON DOOR

Pre-Assembled exterior door specifically  
engineered for the Modular Industry



BT MODULAR



POWDER COAT  
FINISH

16GA  
KERF FRAME

## SPECIFICATIONS

### *BILSON*

Rough Opening: 36" x 80"

Door Size: 34 3/4" x 78 1/8"

Overall Dimensions: 38 5/8" x 81 5/16"

### *BILSON XL*

Rough Opening: 38" x 81"

Door Size: 35 3/4" x 79 1/8" (3068)

Overall Dimensions: 40 1/4" x 86 3/32"

## FEATURES

Pre-assembled door & frame

Powder coat finish

16GA Kerfed frame w/ Kerf weatherstripping

20 GA Door

16 GA Door end channels

20 GA Door top cap

Reinforced for closer

Polystyrene foam core

Prepped for deadbolt option

10x10 visible lite kit option

Flange mount 16 GA frame

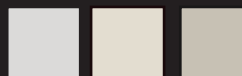
ASA Strike prepped

Tamper resistant hinges

ADA compliant threshold

Door sweep

## COLORS



Bright  
White

Off  
White

Gray

## LITE KIT OPTIONS

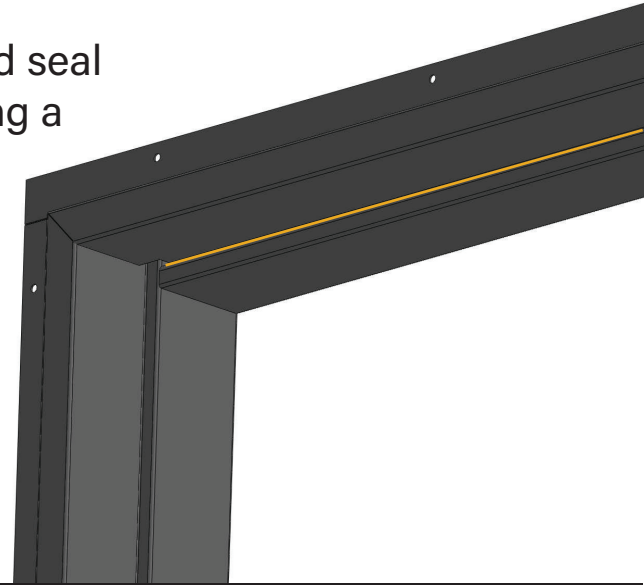
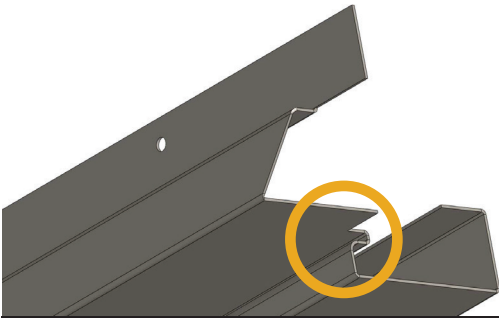
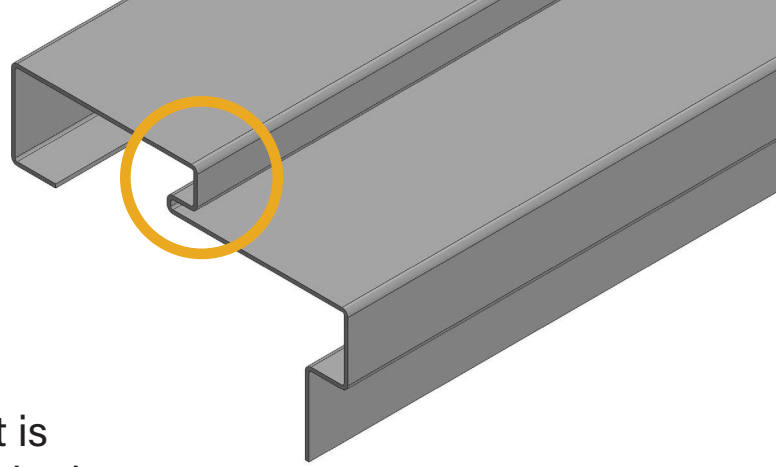
10 X 10

5 X 20

6 X 30

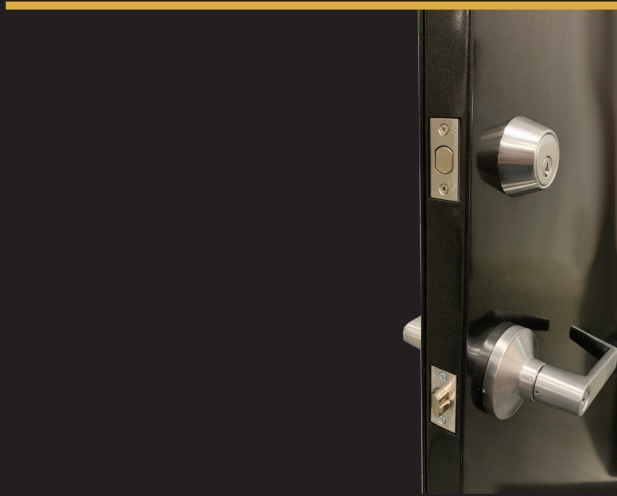
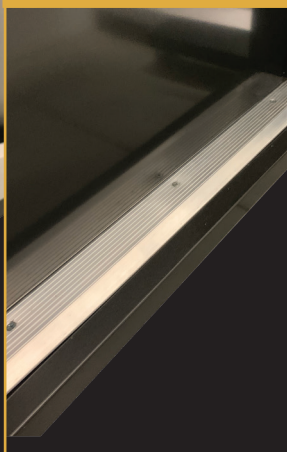
# 16GA KERF FRAME

The Bilson Door hosts a Kerf Frame that is specifically designed to hold weather stripping without screws or adhesive. This creates a solid seal to keep out water, air, and debris while providing a long lasting solution.



## OTHER FEATURES

IDB Invisible Deadbolt Prep  
DB Deadbolt and Lever Prep



Doorsweep & Threshold